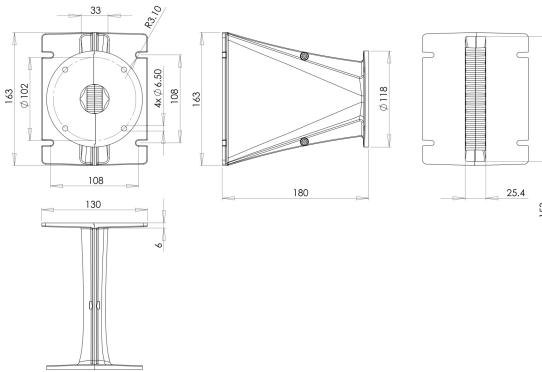
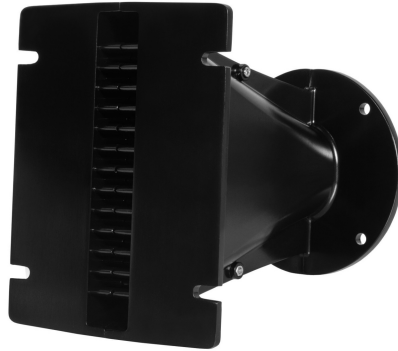
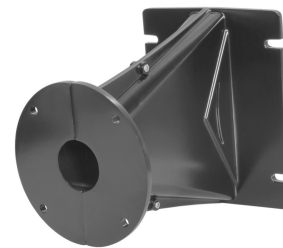


ME142

0Ω

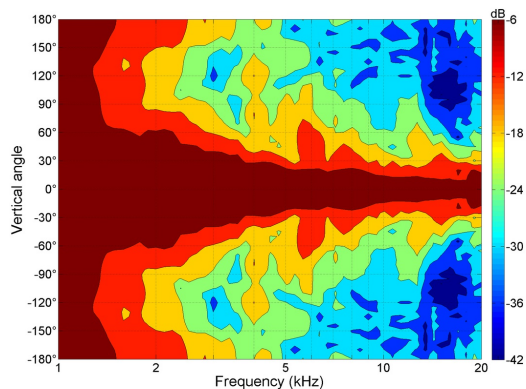
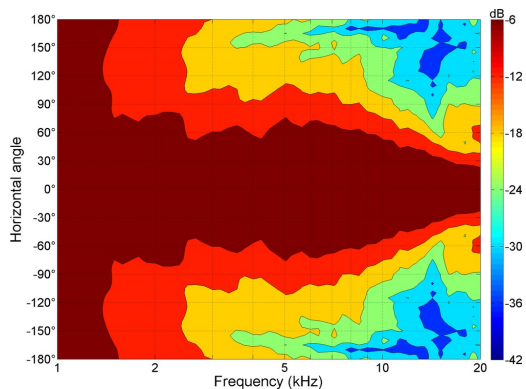
Horns - 1.4 Inches

- 1.4" throat entry
- Line Array optimized Waveguide
- 120° max horizontal coverage
- Vertical coverage depends on configuration
- Very good loading down to 800 Hz



ME142

Horns- 1.4 Inches



SPECIFICATIONS¹

Throat Diameter	36 mm (1.4 in)
Nominal Coverage Horizontal	120 °
Cutoff Frequency	0.8 kHz
Material	Cast Aluminium
Design	Line Array Optimized Waveguide
Dimensions	163x130x180 mm (6.42x5.12x7.09 in)

MOUNTING AND SHIPPING INFO

Baffle Cutout Dimension	153x25.4 mm (6.00x1.00 in)
Air Volume Occupied by Horn	0.34 dm ³ (0.01 ft ³)
Net Weight	1.0 kg (2.2 lb)
Shipping Units	1
Shipping Weight	1.1 kg (2.43 lb)
Shipping Box	190x135x165 mm (7.48x5.31x6.50 in)
Other Details	Four 6.5 mm holes at 90° on 102 mm (4 in) diameter

1. Waveguide mounted on B&C DE800 compression driver